

### TECHNICAL DATA

Max leaf length:	3 m.
Max gate weight:	350 Kg.
Power tension:	230V+/-10%
Absorbed Power:	200 W
Absorbed Current:	1 A
Motor revolution speed:	1400 rpm
Thermal cut out:	110°C
Motor capacitor:	16µF
Pinion and reduction gear speed:	1.7 rpm
Travel time needed for 90°:	12 s.
Weight:	11.5 Kg.

### GER INSTALLATION

to have perfect leaf movement (keep tools and mounting bolts for the fixing plate to the column handy).

- GER can open inwardly or outwardly and can be installed on both left or right.

In Fig.3 you will find the mounting of the motor in the sx version, for the dx version turn the motor 180° always leaving the splined shaft in the low position.

- GER is provided with COVER SUPPORT PLATE (1), MOUNTING PLATE (2), MOTOR GEAR BOX (3), COVER and accessories for a correct installation

- Place the motor support plate on the column (See Fig.1), so that the 4 holes of the plate are on the left side and then make 4 holes D.10 on the column correspondent to the 4 holes on the plate

- Insert the 4 mounting bolts in the holes, place the case fixing plate back and the mounting plate upon it (2) checking that the central hole is oriented down and then fix everything to the column.

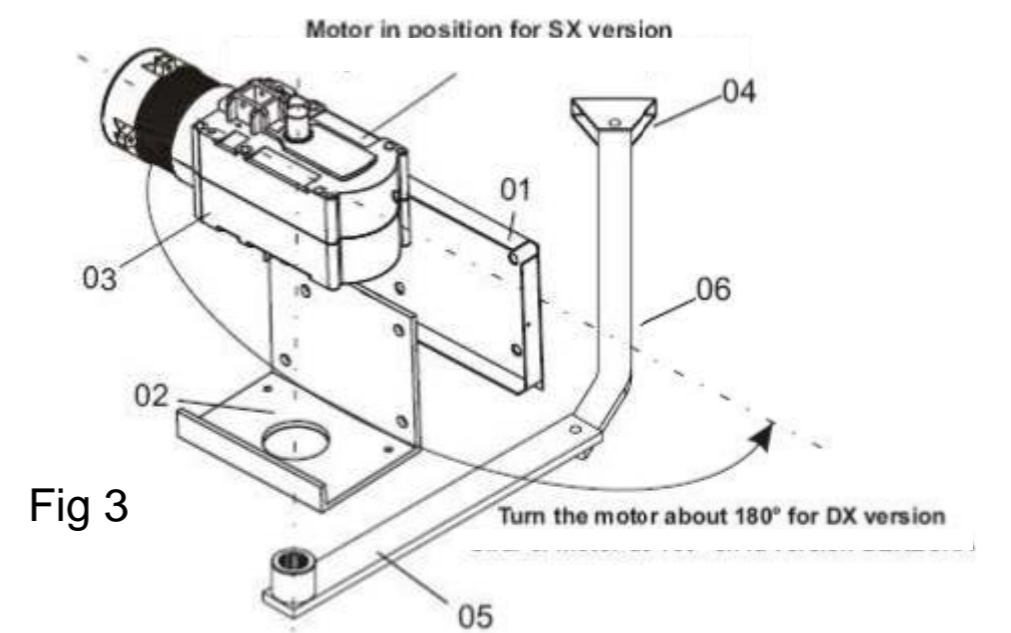
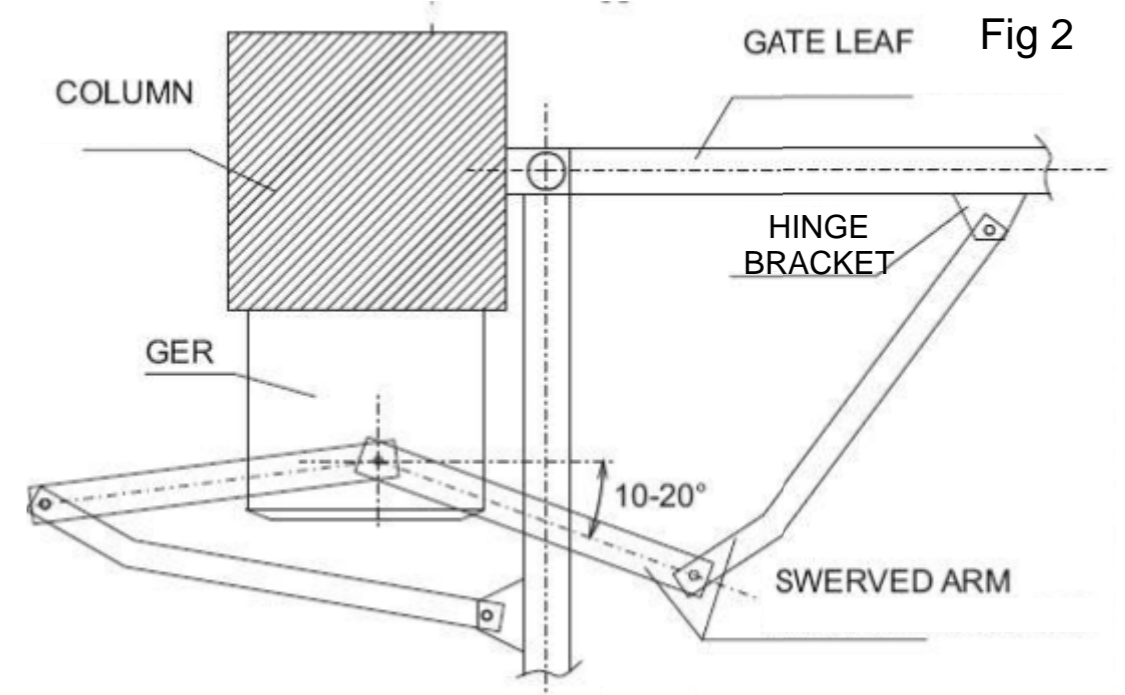
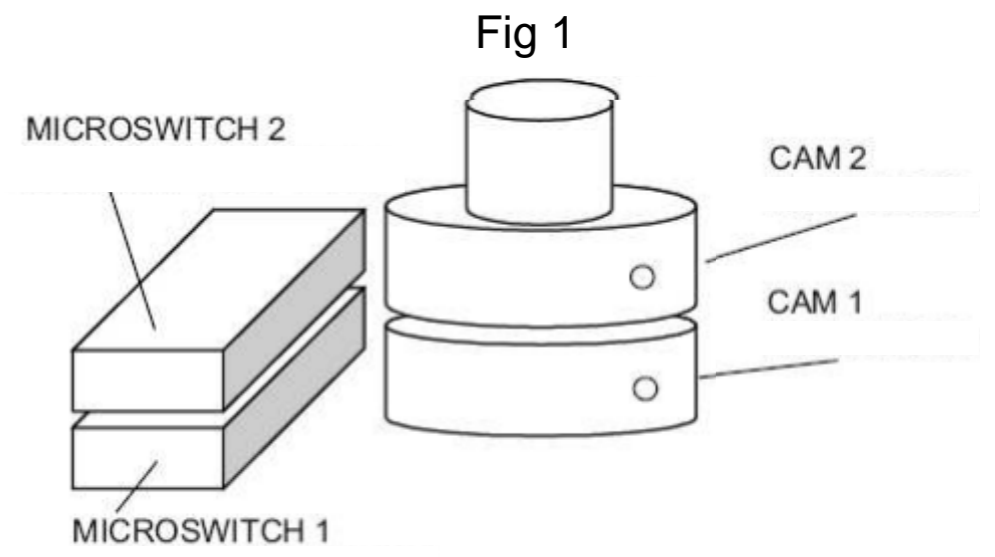
- Put the motor gear box on the fixing plate with the splined shaft oriented down, the release lever pointing up and the power supply cable oriented outward (opposed to the leaf). Fix the motor gear box with the screws provided (m6x130TCE).

- Use the release lever with the purposefully provided key by turning anticlockwise to release the motor-gear box. Install the articulated arm (which is composed by: ARM WITH COLLAR (5), SWERVED ARM (6) and HINGE (4) on the splined shaft (under the motor) and fix it with screw provided.

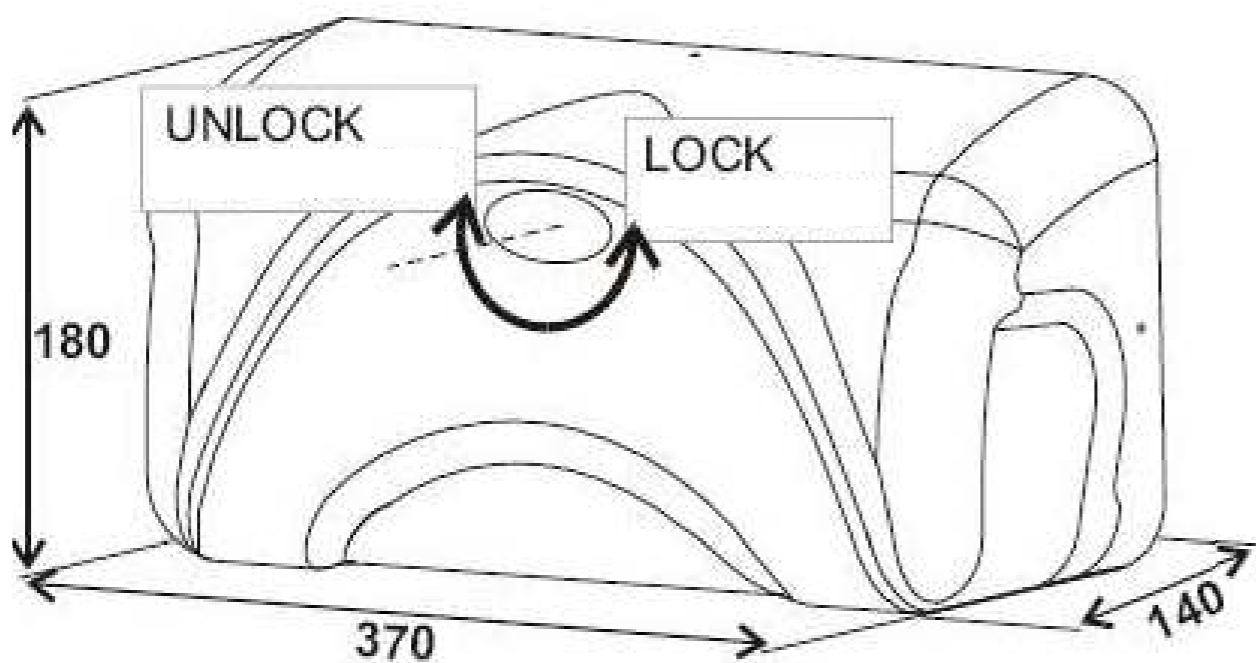
- Check that the gate leaf is completely closed and then rotate the articulated arm in direction of gate until reaching the exact position (refer to fig.1) and pin point on the leaf the exact spot where the hinge must be fixed.

- Don't fix the hinge bracket immediately but open and close the leaf to check that the manoeuvre is smooth. If problems arise re-install the hinge so to find its ideal placement.

- The installation of GER cover can be carried out after wiring remove the articulated arm, insert the protective case, remount the articulated arm and fix all GER parts.



The electrical installation shall be carried out by a professional technician who will release documentation as requested by the laws in force. This is a quotation from the GENERAL DIRECTIONS that the installer must read carefully before installing.



### MANUAL RELEASE

TO UNLOCK :

- 1) Insert the key into the manual release into the front of the motor and turn anticlockwise.
- 2) open and close the leaf Manually.

TO reactivate:

Insert the key into the manual release and turn clockwise

### LIMIT SWITCH ADJUSTMENT (if provided) FIG.2

- Carry out the whole of procedures explained in the paragraph "GER INSTALLATION" up to point 8
  - Get the leaf to limit switch position in closing, block the motor by acting on the release lever with the key provided and adjust the first cam (the cams have adjustment threads M5x8 so use the right Allen key) so that the first micro-switch is closed.
  - Release the motor and proceed as before with the leaf in the opening position. Remember that you have to adjust the second cam which effects the second micro-switch, make an opening and closing manoeuvre to check that the micro-switches are timing perfectly. If problems arise, repeat the procedures.
  - Take the leaf to the limit switch in closing position and lock the motor, after wiring is completed.
- Disconnect the articulated arm, insert the protective case and finish the installation off by reattaching the articulated arm in the same position.



# SEA

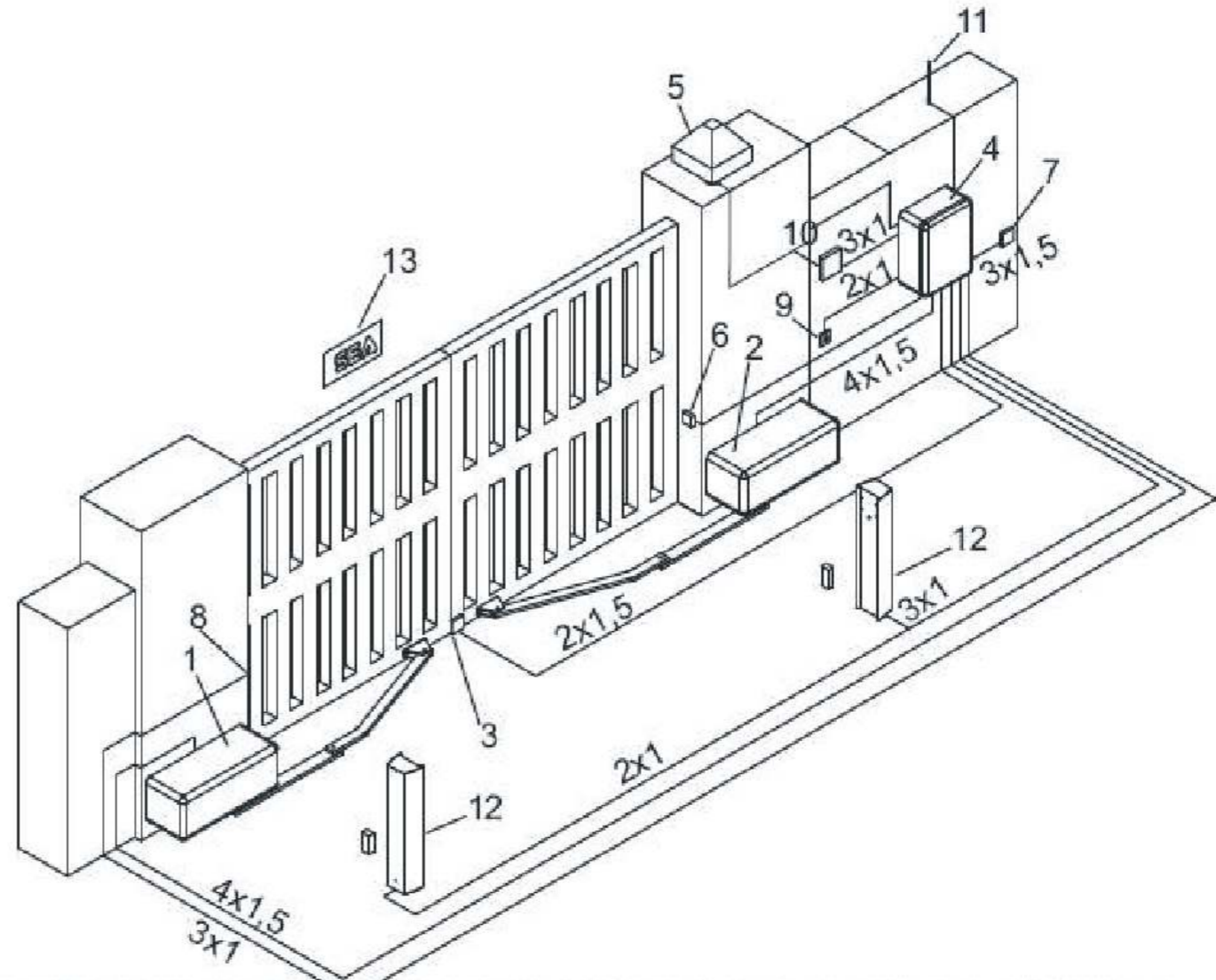
S.E.A (UK) Limited,  
 Unit 6A Olton Wharf (off Richmond Road)  
 Olton, Solihull.  
 B92 7RN  
 Tele: 0121 706 9629, Fax: 0121 764 5603  
 Email: SALES@SEAUKLTD.CO.UK  
 www.seaukld.co.uk



# GER

## FITTING AND CONNECTION INSTRUCTIONS

As for misunderstandings that may arise refer to your area distributor or call our help desk. These instructions are part of the device and must be kept in a well known place. The installer shall follow the provided instructions thoroughly. SEA products must only be used to automate doors, gates and wings. Any initiative taken without SEA s.r.l. explicit authorization will preserve the manufacturer from whatsoever responsibility. The installer shall provide warning notices on not assessable further risks. SEA s.r.l. In its relentless aim to improve its products, is allowed to make whatsoever adjustment without giving notice. This doesn't oblige SEA to up-grade the past production. SEA s.r.l can not be deemed responsible for any damage or accident caused by product breaking, being damages or accidents due to a failure to comply with the instructions herein. The guarantee will be void and the manufacturer responsibility (according to Machine Law) will be nullified if SEA original spare parts are not being used.

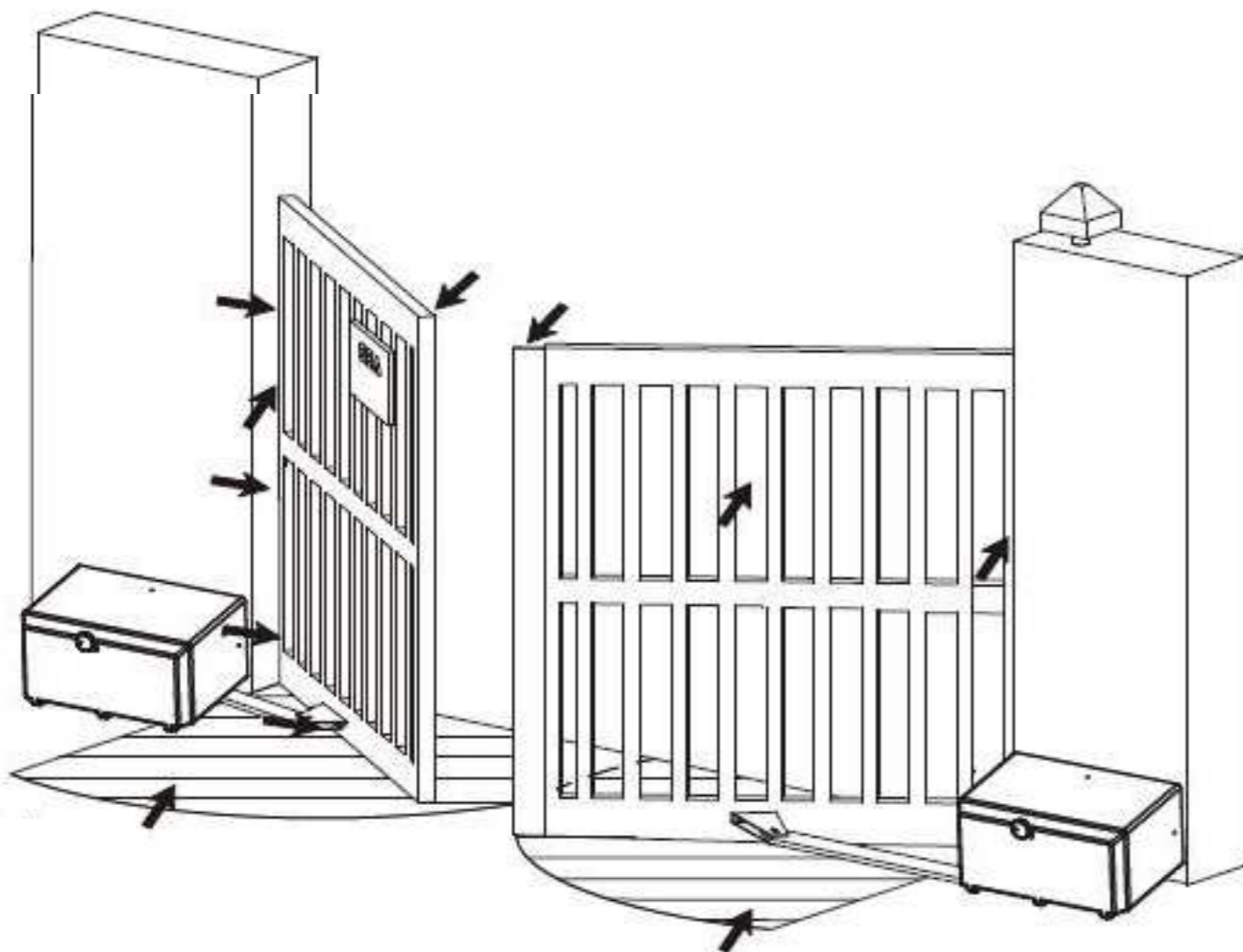


1-Left operator 2-Right operator 3-Electric lock 4-EI. control unit 5-Flashing warning light 6-Photocell Rx 7-Differential switch 16A-0,03A 8-Photocell Tx 9-Key switch 10-Radio receiver 11-Antenna 12-Support for photocell 13-Warning notice

### RISK EXAMINATION

The points indicated by the arrows are potentially dangerous. The installer must make a thorough risk examination to prevent crushing, conveying, cutting, grappling, trapping, so as to guarantee a safe installation for people, objects and animals (Ref- Laws in force in the country where the installation has been carried out).

Packaging materials such as plastic bags, foam, polystyrene, nails .ect must be kept out of children's reach as dangers may arise, and dispose of responsibly.



If difficulties arise refer to your area distributor or call our help desk. These instructions are part of the device and must be kept in a well known place. The installer shall follow the provided instructions thoroughly. SEA products must only be used to automated doors, gates and wings. Any initiative taken without SEA Srl explicit authorization will preserve the manufacturer from whatsoever responsibility. The installer shall provide warning notices on not assessable further risks, SEA Srl in its relentless aim to improve its products, is allowed to make whatsoever adjustment without giving notice. This doesn't oblige SEA to up-grade the past production. SEA Srl can not be deemed responsible for any damages or accident caused by product breaking, being damages or accident due to a failure to comply with the instructions herein. The guarantee will be void and the manufacture responsibility (according to Machine Law) will be nullified if SEA Srl original spare parts are not being used.