



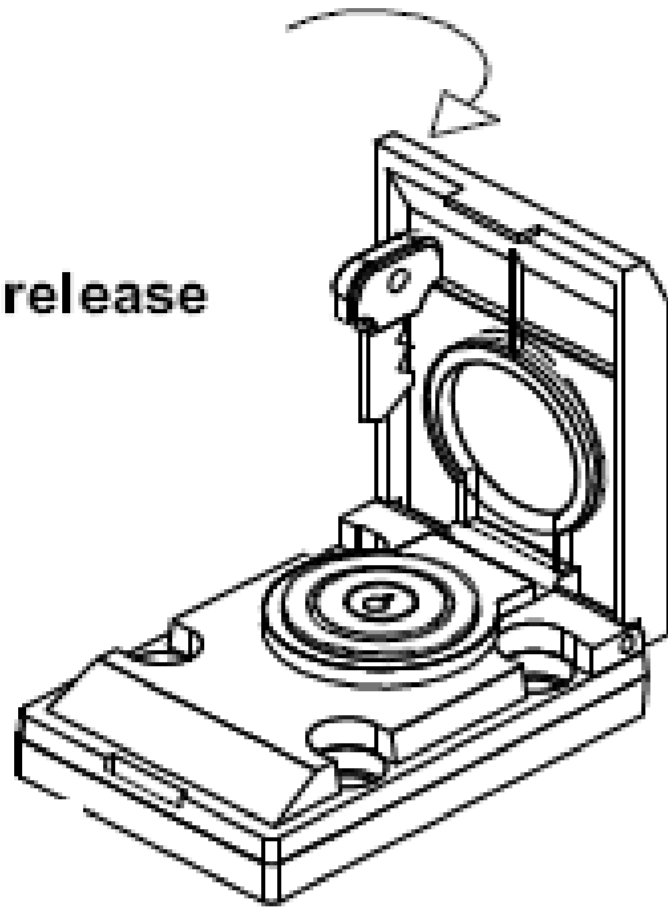
# SEA

S.E.A (UK) Limited,  
 Unit 6A Olton Wharf (off Richmond Road)  
 Olton, Solihull.  
 B92 7RN  
 Tele: 0121 706 9629, Fax: 0121 764 5603  
 Email: SALES@SEAUKLTLD.CO.UK  
 www.seaukltld.co.uk

**Early LIBRA HALF-TANK LIBRA FULL-TANK**  
 ALL MODELS ALL MODELS

## FITTING AND CONNECTION INSTRUCTIONS

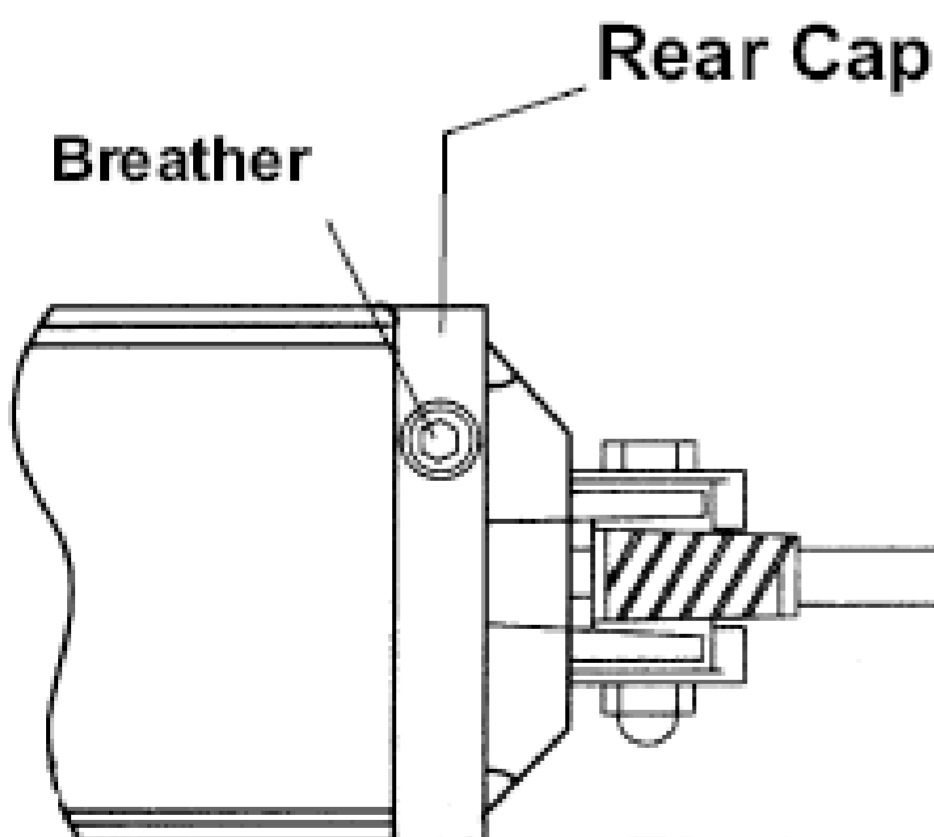
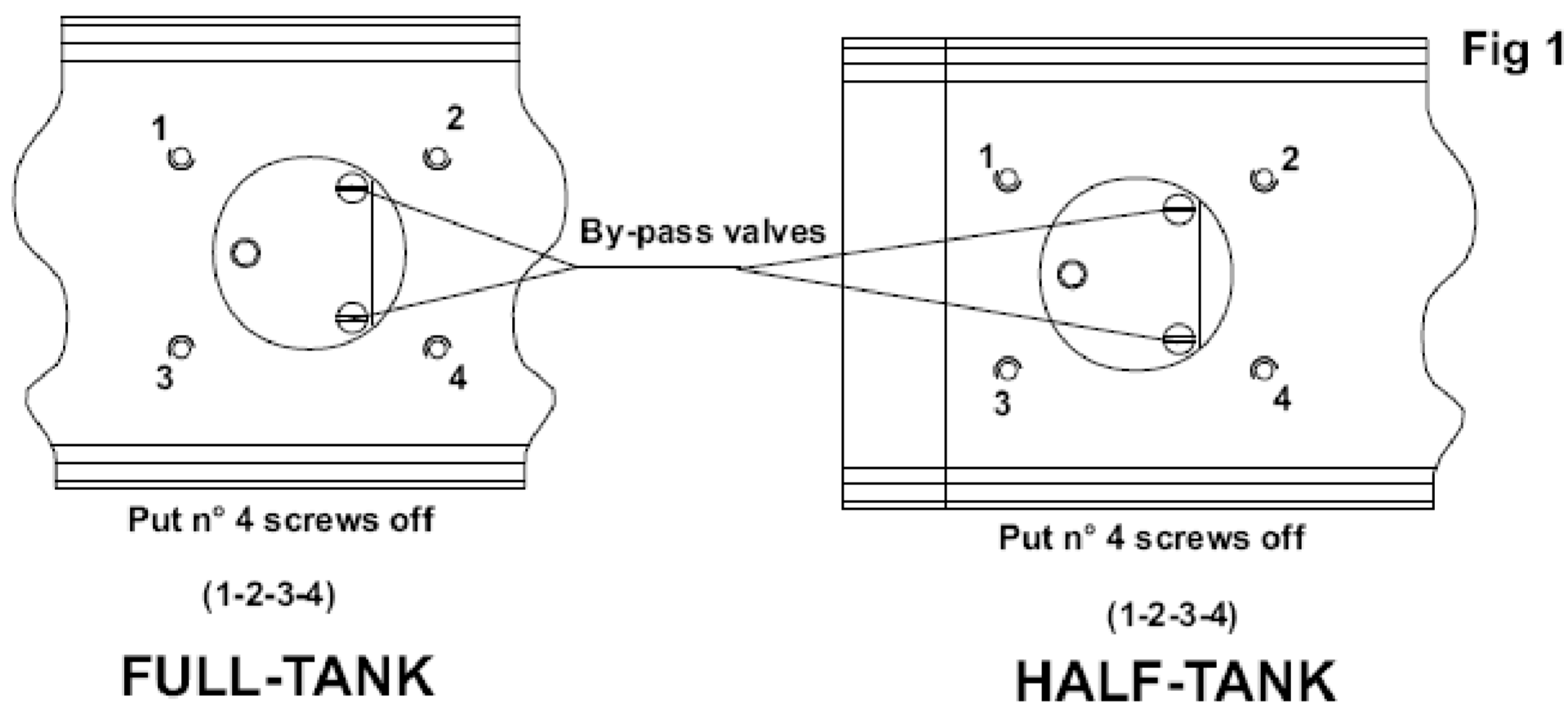
**Key release**



### FULL-TANK

#### Pressure regulation (anti-crush safety)

The opening and closing forces transmitted to the gate by the motor-pump assembly are regulated by adjusting two by-pass valves; the plain (silver)-coloured valve adjusts the opening pressure while the yellow (brass) coloured valve adjusts the closing pressure. Turn the appropriate valve clockwise to increase the operating pressure; turn counter-clockwise to decrease. **The maximum thrust force during the movement, measured at the leading edge of leaf, is subjected to the laws in force in the country where the gate is installed.** It is advisable that both opening and closing pressures are similar, with the opening pressure set slightly higher than the closing one. By-pass valves are placed under the key release system.



#### VERY IMPORTANT

Take the breather screw (in the lower part of the operator) off after installation (Fig. 3).

**Notice:** The maximum stroke must never be reached. It is very important that when the operator is fitted, with the gate in open position, the piston is not at the maximum extension but it is about 15 mm clear from the limit switch.

The electrical installation shall be carried out by a professional technician who will release documentation as requested by the laws in force. This is a quotation from the GENERAL DIRECTIONS that the installer must read carefully before installing.



# SEA

S.E.A (UK) Limited,  
 Unit 6A Olton Wharf (off Richmond Road)  
 Olton, Solihull.  
 B92 7RN  
 Tele: 0121 706 9629, Fax: 0121 764 5603  
 Email: SALES@SEAUKLTLD.CO.UK  
 www.seaukltld.co.uk

## Early LIBRA HALF-TANK LIBRA FULL-TANK ALL MODELS ALL MODELS

### FITTING AND CONNECTION INSTRUCTIONS

Length of the leaf cm	a cm	b cm	d max cm	Oper stroke for 90°	Max opening
120 - 180	20	19	14	38	90°
120 - 180	22	17.5	16	38	90°
120 - 180	26	15	20	38	90°
180 - 250	20	19	14	38	90°
180 - 250	22	17.5	16	38	90°

#### Fitting to the pier

Libra Half-Tank/ Full-Tank  
 (pump capacity l/min 1,5)  
 Stroke 390 mm

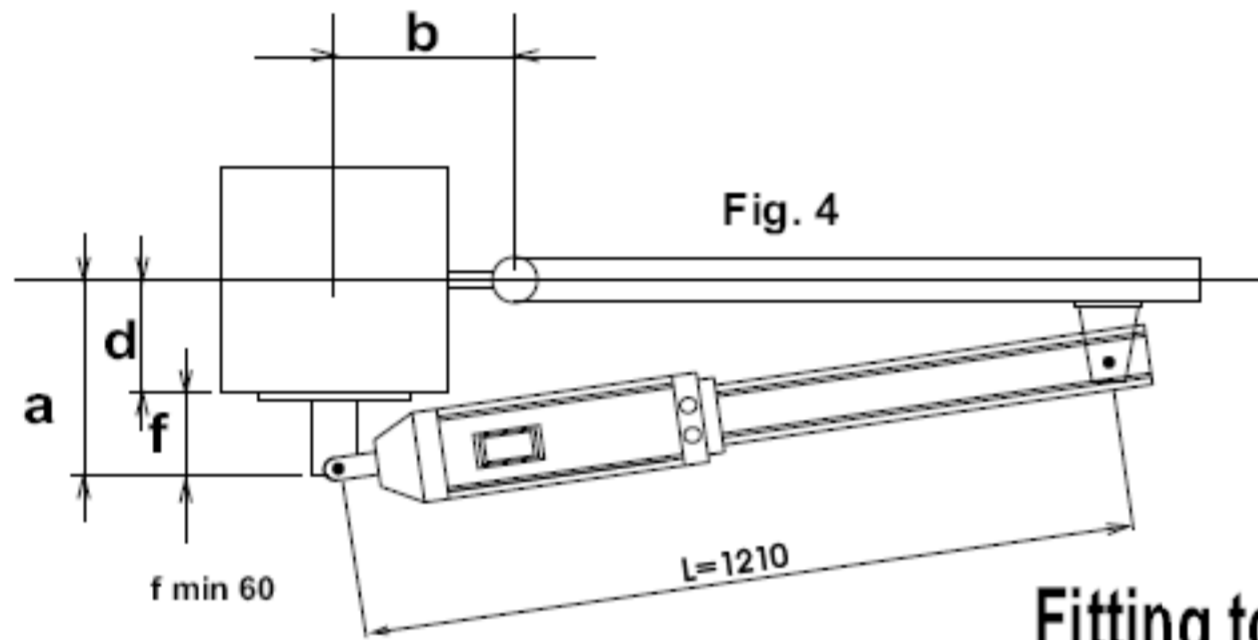


Fig. 4

Length of the leaf cm	a cm	b cm	d max cm	open stroke for 90° cm	Max opening angle	Pump Capacity
100 - 180	10	6	5	19	110°	1.00
180 - 250	10	7	6	25	120°	1.00
250 - 300	10	9	7	23	120°	1.00
300 - 350	12	11	8	25	100°	1.00
350 - 400	14	12.5	9	26	90°	1.00
400 - 450	12	9.5	7	25	110°	0,75
450 - 500	14	10	8	26	100°	0,75
500 - 600	14	12.5	9	26	90°	0,75

#### Fitting to the pier

Libra Half-Tank/ Full-Tank  
 STROKE 270mm

#### RISK EXAMINATION

The points indicated by the arrows are potentially dangerous. The installer must make a thorough risk examination to prevent crushing, conveying, cutting, grappling, trapping, so as to guarantee a safe installation for people, objects and animals (Ref- Laws in force in the country where the installation has been carried out).

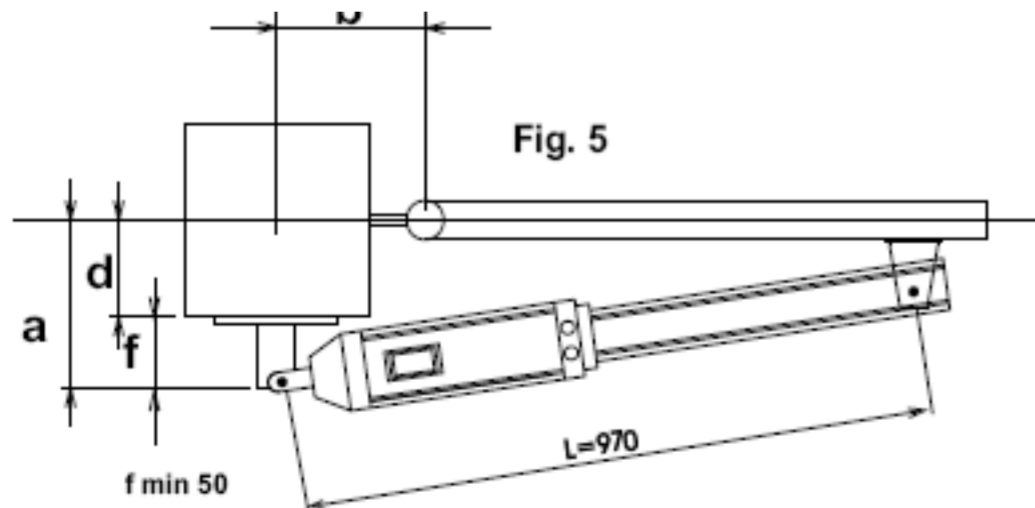
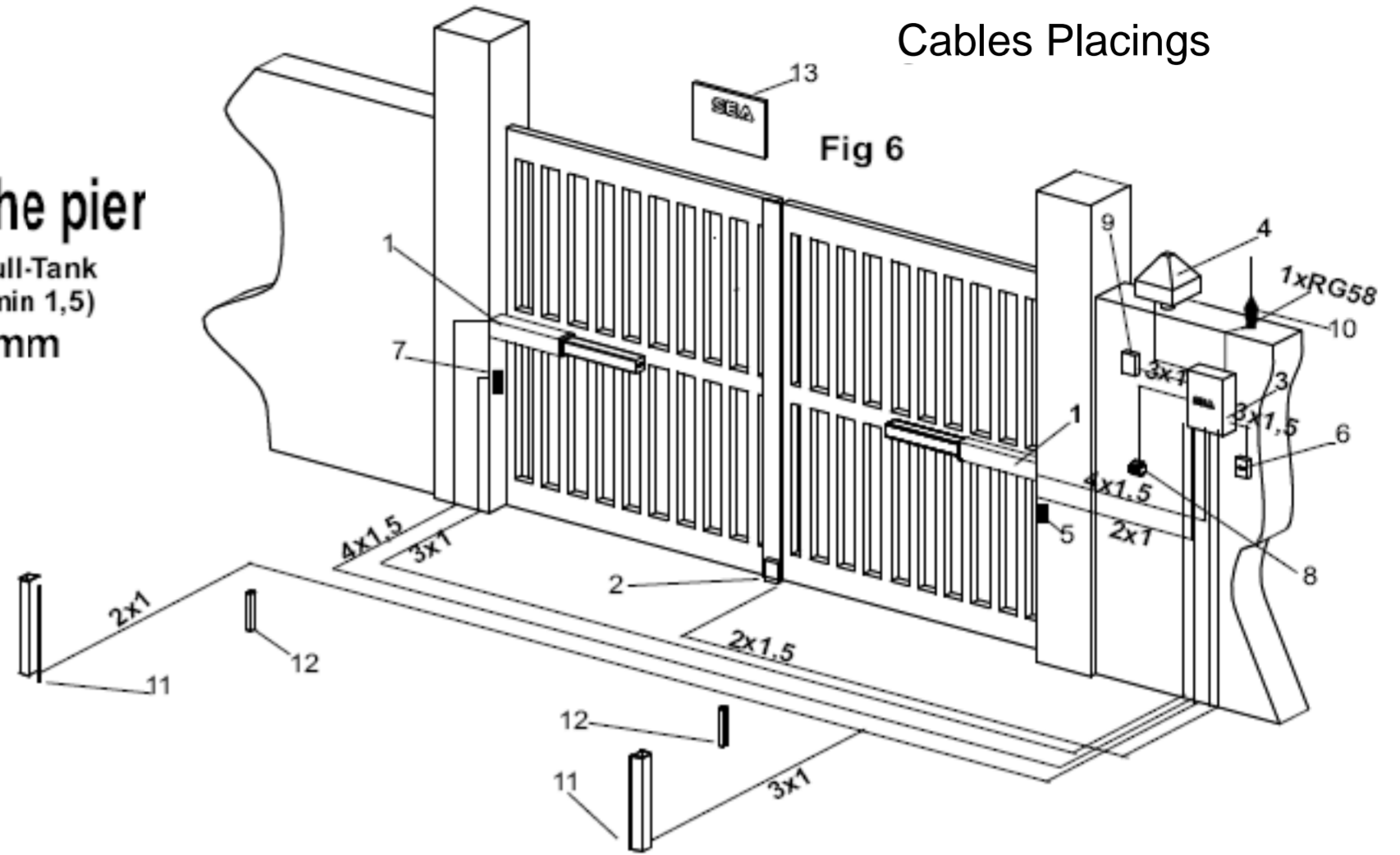


Fig. 5

Packaging materials such as plastic bags, foam polystyrene, nails etc must be kept out of children's reach as dangers may arise.



Cables Placings

Fig 6

- 1) The LIBRA unit
- 2) Electric lock
- 3) Electronic control unit
- 4) Flashing warning light
- 5) Right Photocell
- 6) Differential switch 16A - 0,03A
- 7) Left Photocell
- 8) Key switch
- 9) Radio receiver
- 10) Antenna
- 11) Support for photocells
- 12) Open and close stop
- 13) Warning notice

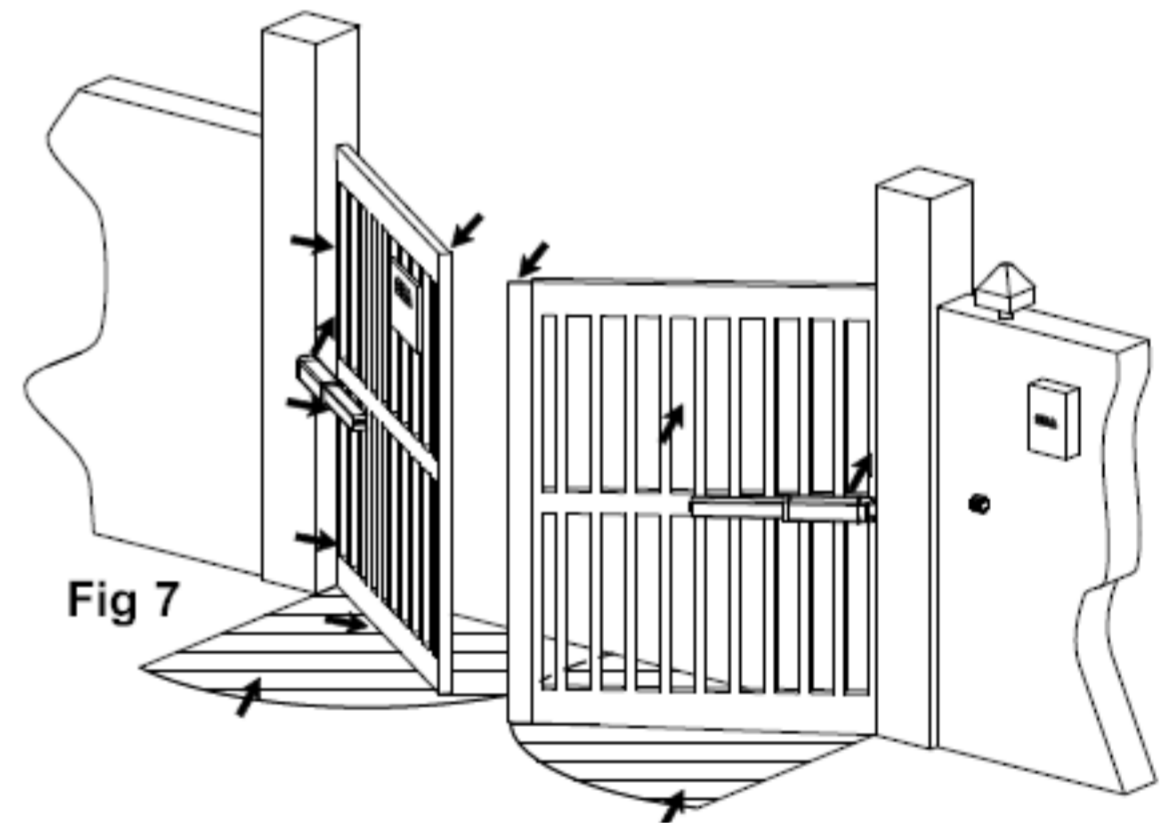


Fig 7

If difficulties may arise refer to your area distributor or call our help desk. These instructions are part of the device and must be kept in a well known place. The installer shall follow the provided instructions thoroughly. SEA products must only be used to automated doors, gates and wings. Any initiative taken without SEA Srl explicit authorization will preserve the manufacturer from whatsoever responsibility. The installer shall provide warning notices on not assessable further risks, SEA Srl in its relentless aim to improve its products, is allowed to make whatsoever adjustment without giving notice. This doesn't oblige SEA to up-grade the past production. SEA Srl can not be deemed responsible for any damages or accident caused by product breaking, being damages or accident due to a failure to comply with the instructions herein. The guarantee will be void and the manufacture responsibility (according to Machine Law) will be nullified if SEA Srl original spare parts are not being used.