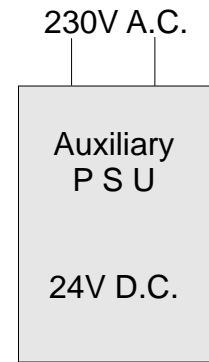
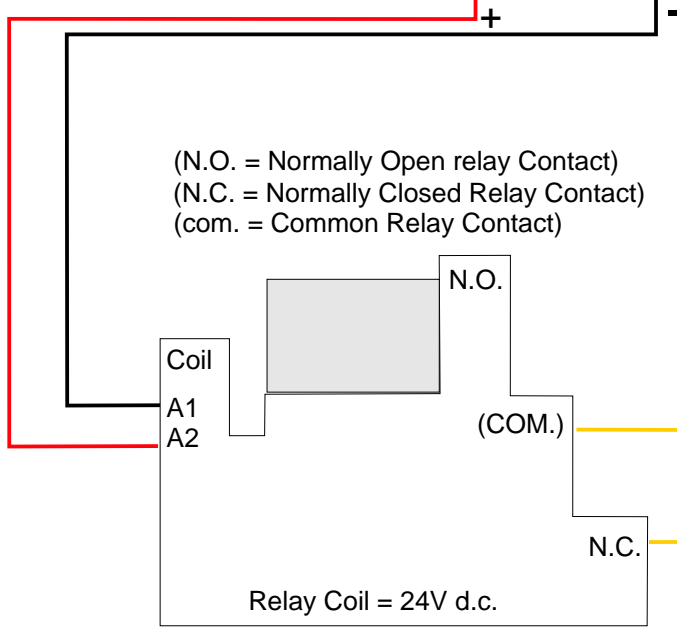


Magnetic lock electronic release  
 Control Panel = Gate 2 (23001125) (Swing Gate)

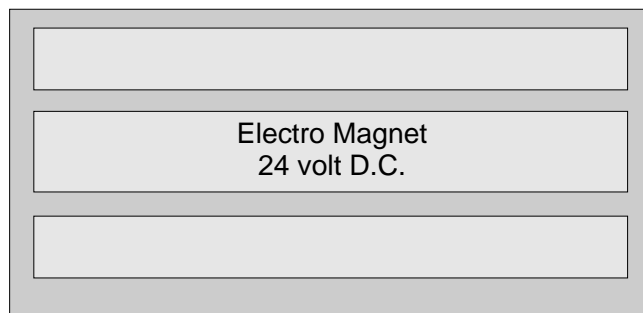
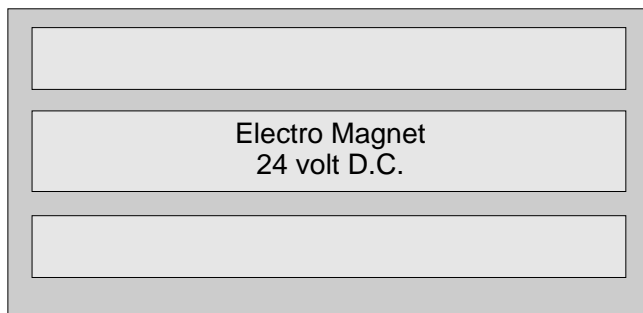
GATE 2

Block CN2 -24V Low Voltage Connections

1	2	3	4	5	6	7	8	9	10	11	12	13	14	15	16	17
---	---	---	---	---	---	---	---	---	----	----	----	----	----	----	----	----



\*15R Resister should give about 26V.d.c. to Magnet



White and Black cables of Magnets linked together for 24V D.C. use

