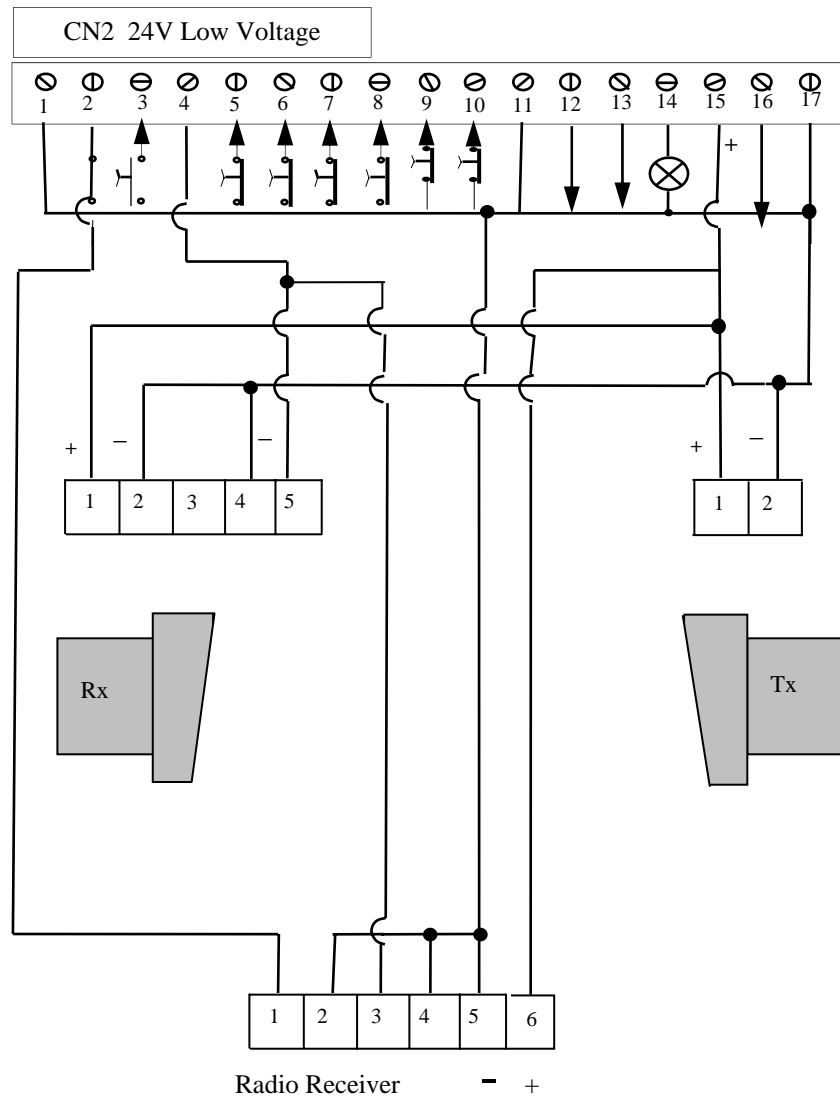


**FOTO50 Photocells connected to a 'Gate 2' control panel to provide a 'Start Input'**  
**Radio Receiver Channel 1 open signal Channel 2 latching hold open signal**



**T W Hawkins**  
**Connect existing photocell safety into terminal 10**  
**If you have any problems call Jof on 0121 706 9629**