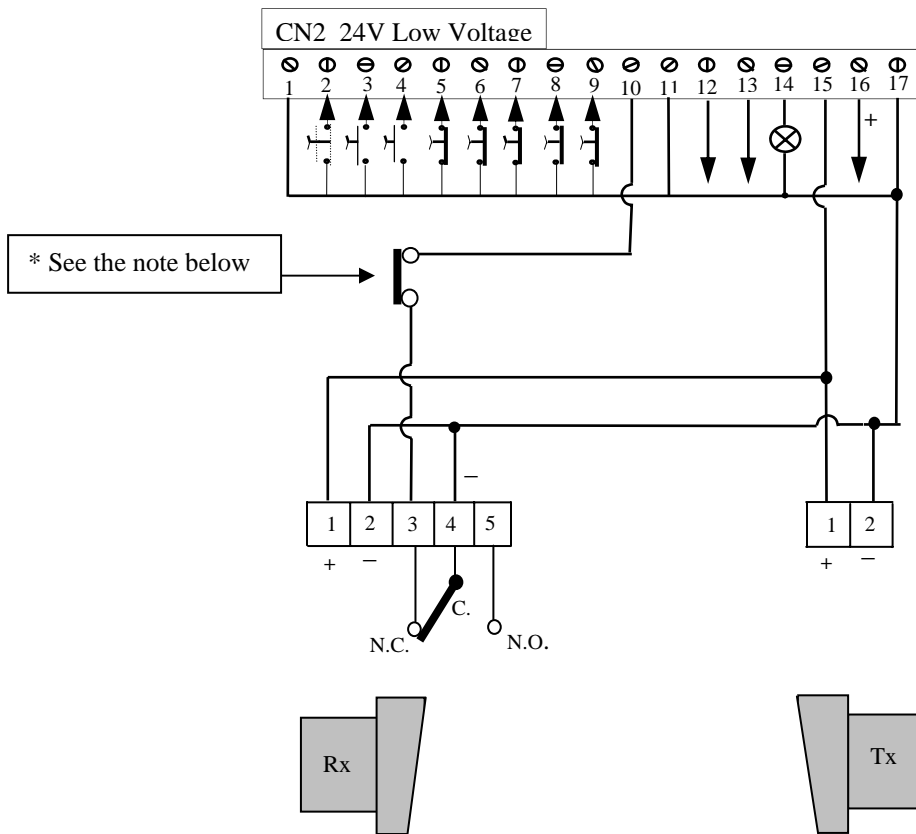


Wiring Diagram showing the connections of a set of Foto50 Photocells to a SEA 'Gate 2' control panel.



*** Please Note:**

If a 2nd set of Photocells or Loop Detector is being installed to provide 'hold-open safety'. The 'normally closed' (N.C.) relay contacts of the 2nd device must be wired in 'series' with the 1st device as

If a third safety system is being used underneath the gates the connections should be via 2 sets of 24Vdc relays and connected to the aux circuit.

17 of main board to com on loop underneath gate

NC on loop connected to common relay 1

NC on relay 1 connected to com relay 2

NO on relay 2 connected to 2 on main board

Relay 1 coil connected to 17 and 13

Relay 2 coil connected to 17 and 14

Dip switch setting. 1 off , 2 on, 3 on, 4 off, 5 off, 6 on, 7 off, 8 off, 9 off, 10 on, 11 off, 12 off.

Minimum 1 second pause