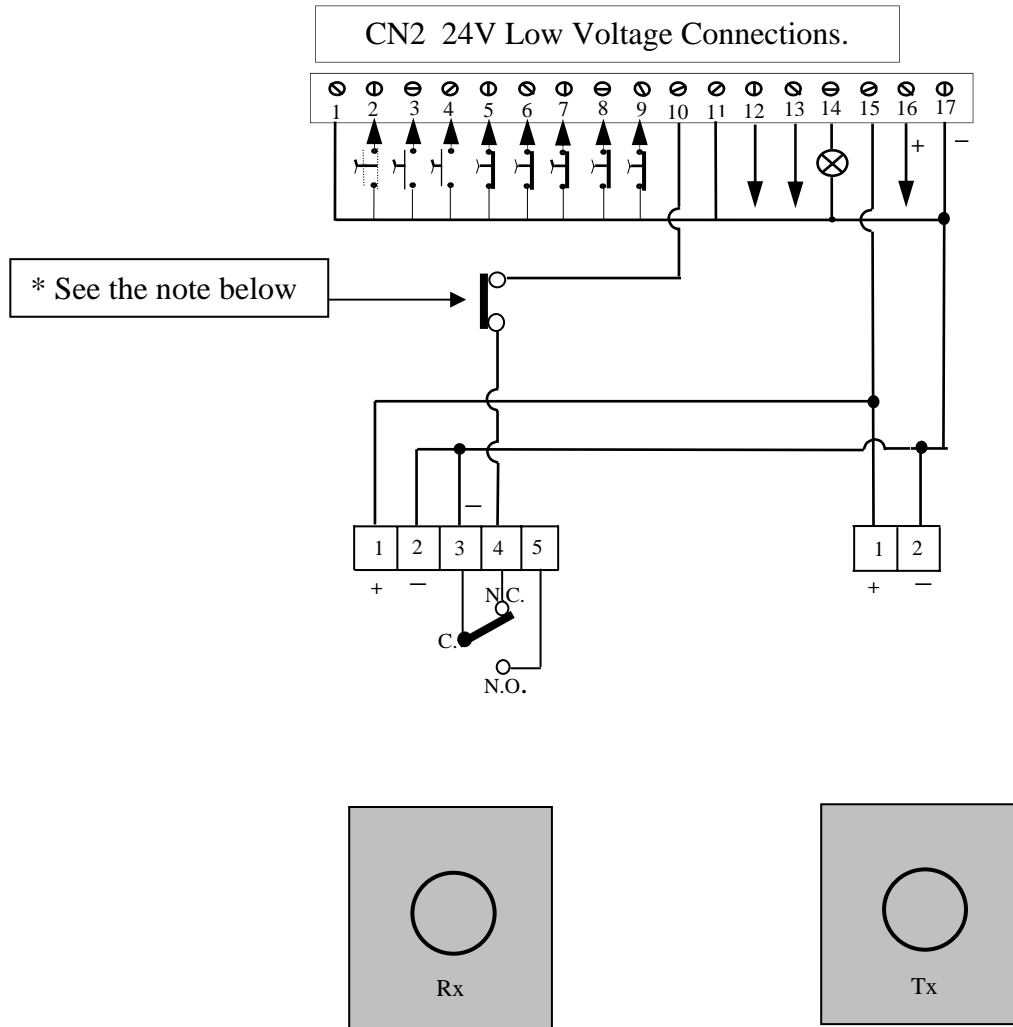


Wiring Diagram showing the connections of a set of Foto40 Photocells to a SEA 'Gate 2' control panel.



*** Please Note:**

If a 2nd set of Photocells or Loop Detector is being installed to provide 'hold-open safety'.

The 'normally closed' (N.C.) relay contacts of the 2nd device must be wired in 'series' with the 1st device as indicated above.