

## VELA INDUSTRIAL

HYDRAULIC BARRIER FOR  
INTENSIVE USE FOR BEAMS UP TO 7,5 METERS.



### Fast and reliable hydraulic barrier!

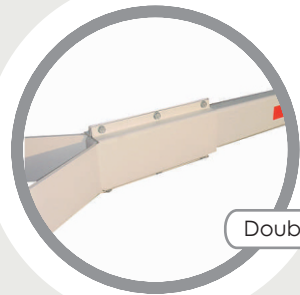
- Hydraulic barrier designed for beam lengths up to 7000 mm. Double yoke beam carrier allows for 7500 mm widths.
- **SEA TOTAL QUALITY:** All main components are manufactured and tested in-house ensuring the highest of engineering standards.
- Hydraulic operation provides an extremely quiet, extremely robust system.
- Safety valves in both directions of travel allow for accurate adjustment of operating pressures.
- Key accessible manual release system in case of power failure.
- Steel casing processed with cathaphoresis and finished in polyester powder coat.
- Stainless steel casings available.
- Hydraulic slow down at end of travel in both directions provides smooth and safe barrier operation.



manual release & safety valves

### Smooth, safe, quiet and hard wearing!

- Designed for use on busy entrances with a high level of safety provided as standard.
- Barrier beams are spring counterbalanced to reduce loadings on the motor, extending the life of the barrier.
- Left and right hand cabinets available.
- Double arm arrangement provides an extremely strong beam carrier.
- Thermal overload built in to the motor to provide the highest level of protection.
- Internal non return lock valves secure the barrier in all positions.
- Operating speeds of 8 - 12 seconds.
- Up to 75% duty cycle means that the Vela Industrial barrier can cope with the busiest of installations.
- Foundation plates, adjustable and flexible fork supports available.



Double yoke

**When quality matters make sure  
it's SEA the engineers' choice!**

#### **SEA (UK) Limited**

##### Midlands Head Office:-

Unit 2 Ardath Road, Kings Norton,  
Birmingham, West Midlands, B38 9PJ  
Tel: 0121 433 3348 / Fax: 0121 433 5695

##### London Trade Counter:-

1-4 Grange Mews,  
Rear of 28 The Grangeway,  
LONDON N21 2HG  
Tel: 020 8360 8022 / Fax: 020 8364 2516

[sales@seauktd.co.uk](mailto:sales@seauktd.co.uk) / [www.seauktd.co.uk](http://www.seauktd.co.uk)

# VELA INDUSTRIAL

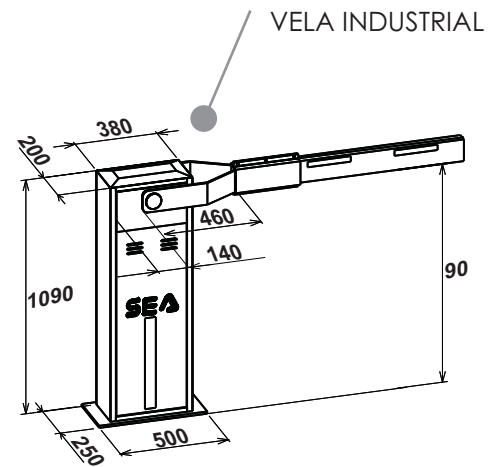
Specifications	VELA INDUSTRIAL
Supply Voltage	230Vac
Motor Power	230 W
Motor current	1.1 A
Opening speed	8 -12 sec
Frequency of use	75%
Thermal protect.	130° C
Operating temperature	-20°C + 55°C
Operator Weight (without metal yoke attachment)	73 Kgs
Oil quantity	1.5 lt
Max beam length	7.5 mtr
Protection class	IP55
Starting Capacitor	12.5 •uF

## CONTROL BOARD Specification

### Gate 1

- Management of a 230 Vac motor with or without limit switch.
  - Automatic logic (4 modes), semiautomatic and step by step logics.
  - Electronic slow down in opening and closing.
  - Motor run time and pause open time regulation.
  - Self-learning operating time for barrier with limits.
  - Self-test on photocells.
  - Self-diagnostic system.
  - Encoder management for increased safety.
  - Diagnostic Leds on all outputs/inputs.
  - Extractable connectors for ease of installation.
  - Integrated receiver compatible with radio transmitters SMART, HEADROLL and HEAD ECOPY series (800 users).
- Fully compatible with all SEA accessories.
  - Compatible with most manufacturers of audio and video intercom equipment.
  - Digital code pads.
  - Card reader systems, stand alone and computer linked.
  - Time clocks and hold open switches.
  - Induction loop free entry, free exit and safety.
  - Photocell free entry, free exit and safety.
  - Patented rubber mechanical safety edges.
  - Vehicle recognition systems.
  - Biometric identification systems.

Dimensions in (mm)



### Opening time of the barrier depending on beam length

ARM LENGTH	5.0	6.0	7.0	7.5
VELA INDUSTRIAL	8.0 sec.	9.5 sec.	11.0 sec.	12.0 sec.

### Beam length

VELA INDUSTRIAL	4.5 mtr	5.5 mtr	6.5 mtr	7.0 mtr
-----------------	---------	---------	---------	---------

### Accessories.

Loop detectors / Photocells / Key pads / Card readers / Transmitters & receivers / Telephone entry systems / Audio and video intercom systems wired and wireless.

Vehicle recognition systems / Biometric recognition systems / Patented rubber mechanical safety edge / Time clocks / Hold open switches.

