

SATURN 600 SATURN 1500 24V

ELECTROMECHANICAL OPERATOR FOR SLIDING GATES OF BIG GATE DIMENSIONS.
GATES WITH MAX. 600KG WEIGHT ON SATURN 600
GATES WITH MAX. 1500KG WEIGHT ON SATURN 1500



Powerful, Reliable and Safe

- The Saturn is S.E.A. electromechanical operator for sliding gates and offers all the power and sturdiness you would expect from the S.E.A. range.
- Solid, die-cast pressure aluminium body, enables the Saturn to easily cope with very large gates of up to 1500kg!
- Oil lubricated gearbox extends the Saturns operating life beyond that of the competition!
- High quality, mechanical or induction limit switches for self learning of open/close cycles
- Manual release system with handle and security key in case of power failure.
- Optional security micro-switch on the release handle to disconnect the power supply in case of emergency.
- Electronic anti crush system gives the Saturn a reputation for safety.

Secure, Silent and Robust!

- GATE 1 control unit mounted within the operator cover for ease of installation.
- Large cable access area underneath operator for ease of installation.
- Electronic Anti Crushing system comes with the GATE 1 control panel as standard
- Electronic slow down in opening and closing produces an accurate stop positioning system, with reduced loadings and smooth operation.
- Radio receiver included on the control panel as standard.
- Adjustable foundation plate in vertical and horizontal plains (optional).
- External release mechanism via a secure box available.
- Pedestrian operation available as standard.



Manual release system

Oil Lubrication

Induction limit switch

When quality matters make sure it's SEA
the engineers' choice!

SEA (UK) Limited.
Unit 6A Olton Wharf, Solihull,
West Midlands, B92 7RN
Birmingham Tel: 0121 706 9629
Birmingham Fax: 0121 764 5603
Northern Tel: 0845 837 2830
London Tel: 020 8360 8022
London Fax: 020 8364 2516
sales@seauk.com
www.seauk.com
www.seateam.com

SATURN

Specifications

2000 OIL

Supply Voltage	230Vac+5% 50/60Hz
Motor Power	500 W
Opening Speed	10 m/min(z16)
Frequency of use	40%
Operating temperature	-20°C + 55°C
Operator Weight	14.5 kgs
Max. gate weight	1500 Kgs
Opening Degrees	-
Anti-crushing clutch	Electronic
Protection class	IP55
Starting Capacitor	25 ·F
Max thrust	70 Nm

CONTROL BOARDS Specifications

Gate 1

- Management of a 230 Vac motor with or without limit switch.
- Automatic logic (4 modes), semiautomatic and step by step logics.
- Electronic slow down in opening and closing.
- Motor run time and pause open time regulation.
- Self-learning operating time for gates with limit switches.
- Self-test on photocells.
- Self-diagnostic system.
- Encoder management. (Safety Gate for swing gates)
- Diagnostic Leds on all outputs/inputs.
- Extractable connectors for ease of wiring.
- Integrated receiver compatible with radio transmitters SMART, HEADROLL and HEAD ECOPY series (800 users)

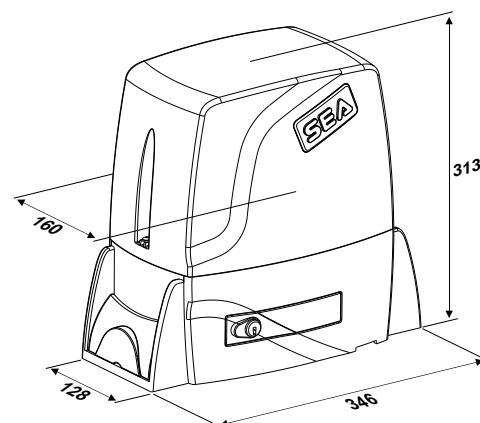
- Fully compatible with all SEA accessories.
- Compatible with most manufactures of audio and video intercom equipment.
- Digital code pads.
- Card reader systems, stand alone and computer linked.
- Time clocks and hold open switches.
- Induction loop free entry, free exit and safety.
- Photocell free entry, free exit and safety.
- Patented rubber mechanical safety edges.
- Vehicle recognition systems.
- Biometric identification systems.

Gate 1 24V

- Management of one 24V motors.
- Electronic slowdown in opening and in closing.
- Motor speed adjustment
- Integrated 433 Mhz radio receiver compatible with SMART, HEAD, HEAD Ecopy radio control transmitters.
- Automatic current sensing for high level of safety (activates the motor in the opposite direction)
- Auto-test on photocell
- Pedestrian opening
- 24V Warning lamp
- Court yard and standard safety inputs
- Electronic lock control.
- Back up battery administration

Dimensions

SATURN



Accessories.

Loop detectors / Photocells / Key pads / Card readers / Transmitters & receivers/ Telephone entry systems / Audio and video intercom systems.

Vehicle recognition systems / Biometric recognition systems / Patented rubber mechanical safety edge / Time clocks / Hold open switches.

Radio Control Photocell safety



Combined Proximity Card or Radio transmitter system